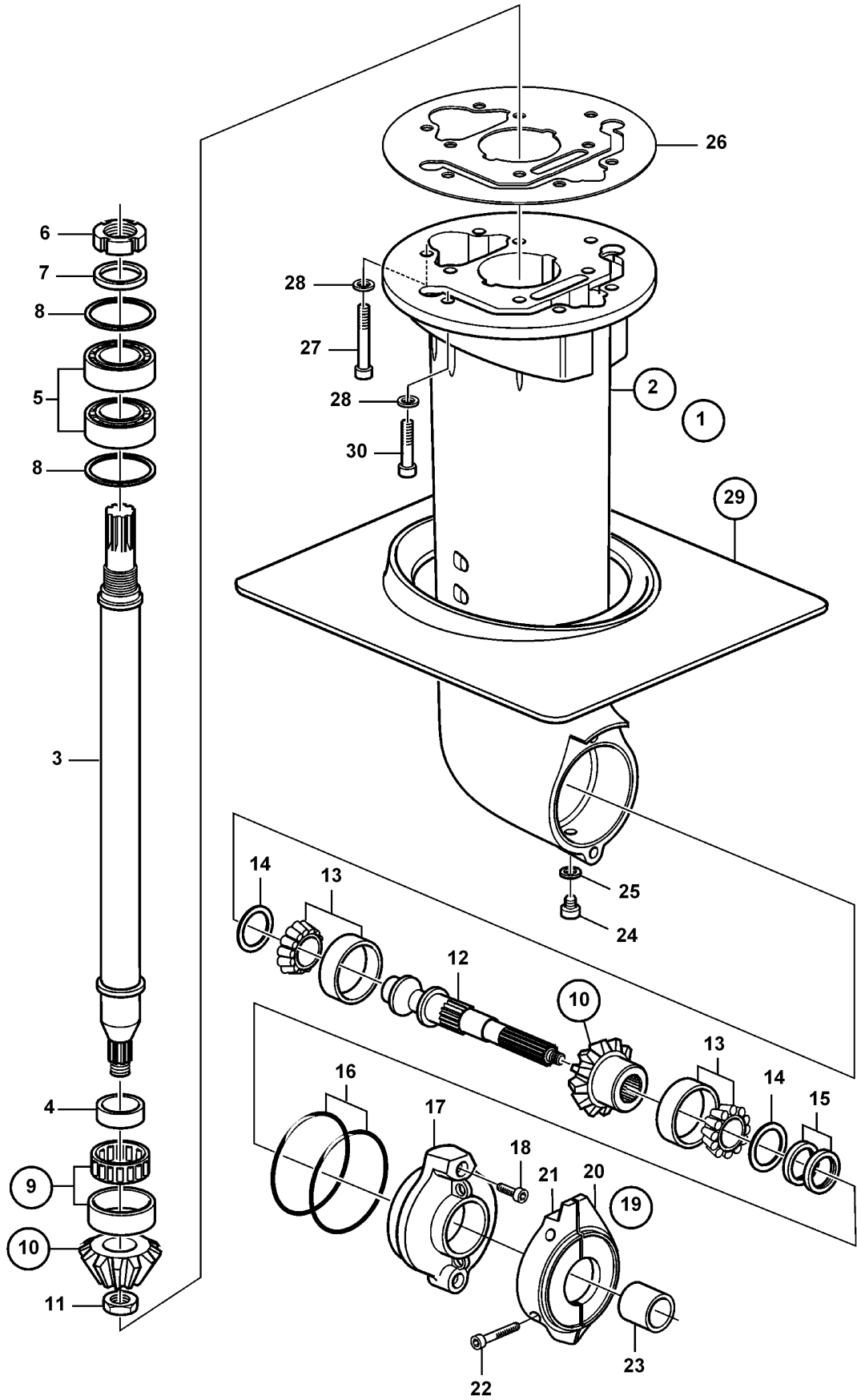


130S-A, 130S-B, 130SR-A, 130SR-B



20869

130S-A, 130S-B, 130SR-A, 130SR-B

REF	PART NO.	QTY	DESCRIPTION	NOTES
1	3589556	1	Gear under	
2	3584492	1	• Gear housing	Replaced by 3819860.
	3819860	1	• Gear housing	
3	3808719	1	• • Shaft	
4	889736	1	• Inner ring	
5	11041	2	• Roller bearing	
6	3586672	1	• Lock nut	
7	889738	1	• Spacer ring	
8	3586729	X	• Shim	TH = 0,10mm
	3582874	X	• Shim	TH = 0.15mm
	3582875	X	• Shim	TH=0,20mm
	3586730	X	• Shim	TH = 0,50mm
	3586731	X	• Shim	TH = 1,00mm
9	3586323	1	• Needle bearing	
10	3583363	1	• Gear set	RATIO 2.19:1
11	3582885	1	• Nut	
12	3582888	1	• Shaft	
13	3854249	2	• Roller bearing	(3582473)
14	851980	X	• Shim	TH = 0,10mm, (3582477)
	851981	X	• Shim	TH = 0.15mm, (3582478)
	3582876	X	• Shim	TH=0,20mm
	851982	X	• Shim	TH = 0,30mm, (3582479)
	3583347	X	• Shim	TH = 0,50mm
	3582480	X	• Shim	TH = 1,00mm
15	3593663	2	• Sealing ring	
16	889672	2	• O-ring	
17	3584278	1	• Bearing housing	
18	946541	2	• Screw	L=25mm
19	3888305	1	• Anode kit	
20		1	• • Anode	
21		1	• • Anode	Left
22	963688	2	• • Allen head screw	L=40mm
23	3582887	1	• Spacer	
24	3854539	1	• Plug	
25	3855081	1	• • O-ring	
26	3586693	1	Gasket	
27	963703	8	Screw	
28	941670	10	Washer	
29	854932	1	Mounting kit	(3583365)
30	963700	2	Allen head screw	